

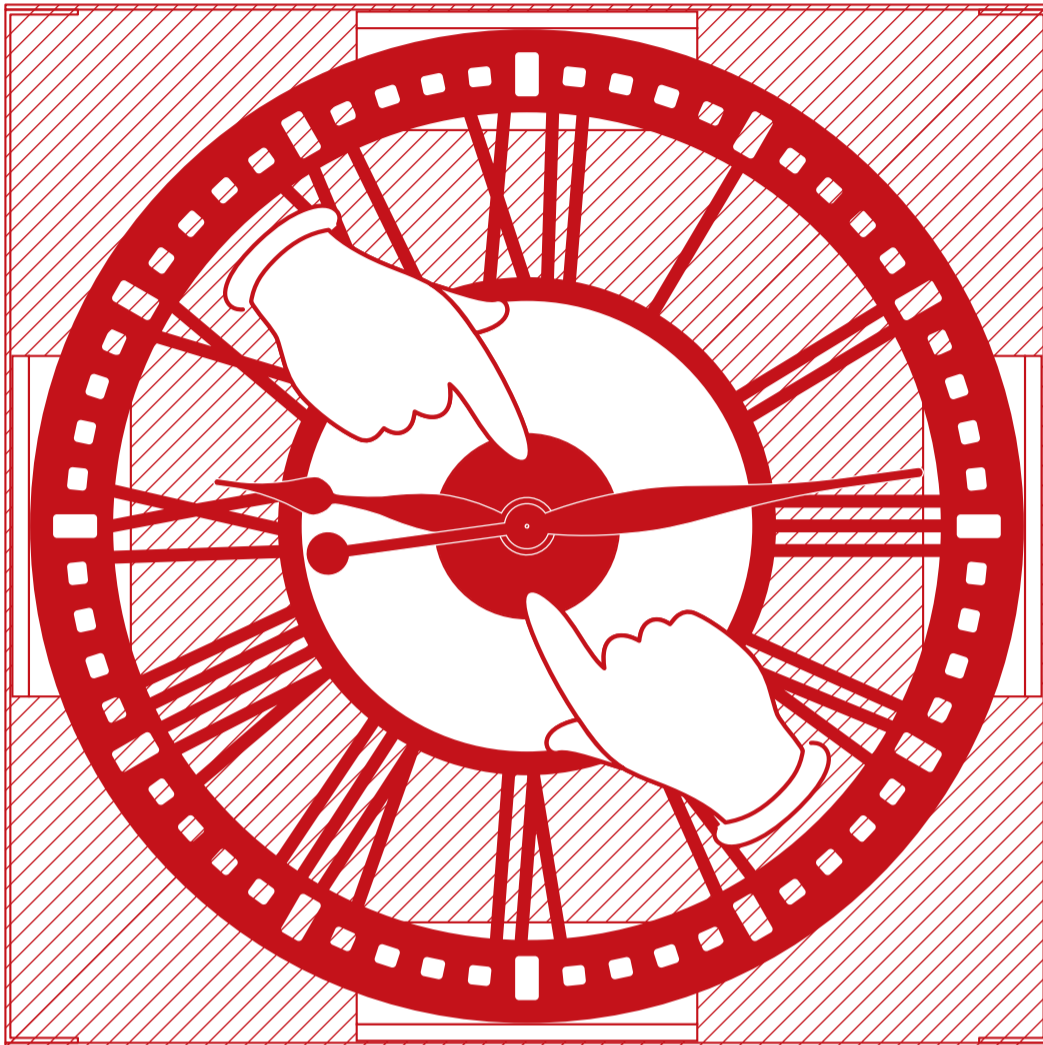
# INSTRUCTION

14733

To prevent the hands from being damaged:

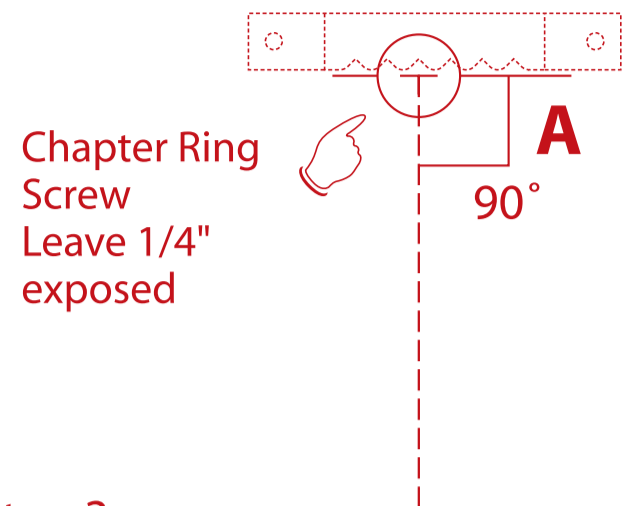
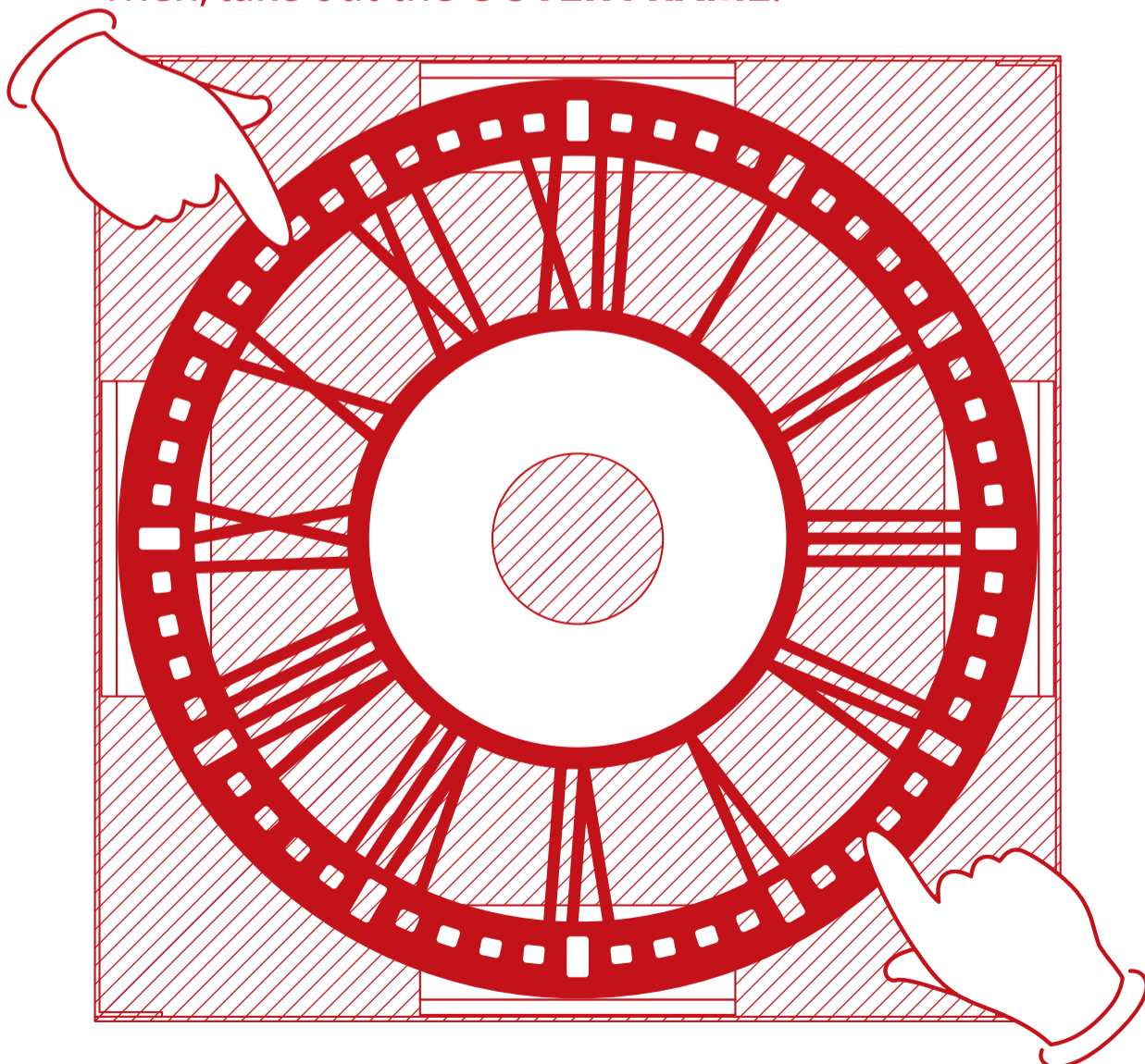
## Step 1

Take out the **CENTER RING** first.



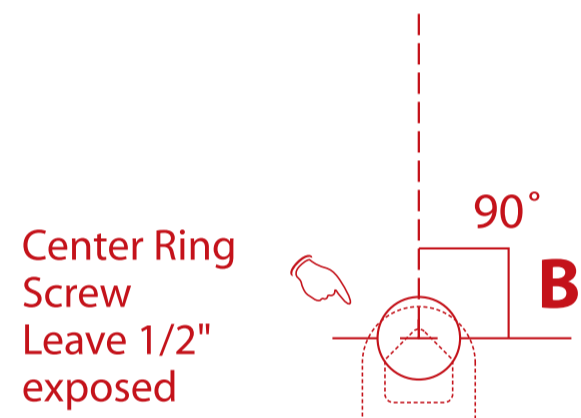
## Step 2

Then, take out the **OUTER FRAME**.



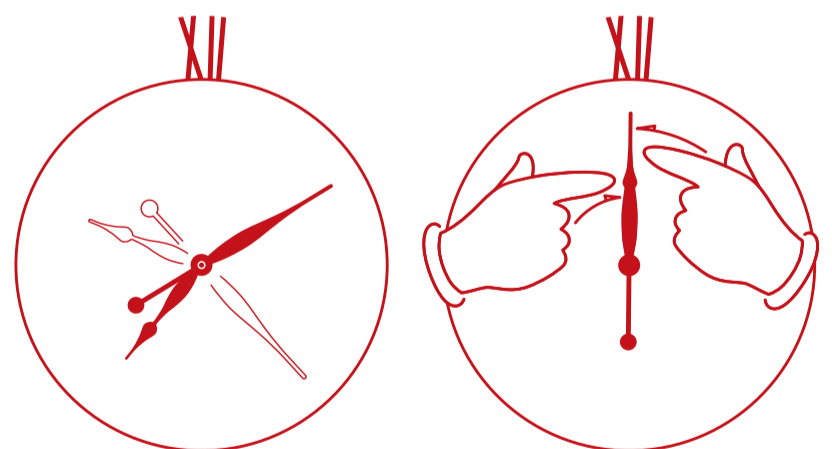
## Step 3

Install the screws for the Center Ring and the Outer Frame and hang the clock. Suggested distance between the two screws is **16.5" (from A to B)** as shown on the instruction.



## Step 4

Adjust the time by moving the **MINUTE HANDS** only, either clockwise or counterclockwise.



**For more details, please refer to the Instruction Manual attached to this packaging separately.**